

- 316 L chrome body and chrome flange
- Polycarbonate luminaire glass
- Plastic injection installation box
- Underwater cable joint
- H07RNF rubber cable

P W Product & Power Options

Product Name	Light Color	Input Voltage (V)	Power (W)	Luminous Flux (lm)	Weight (kg)
CF500	WW-NW-CW	220-240V AC	2	155	0,5
CF500	WW-NW-CW	12-24V DC	2	155	0,5
CF500	RGB	7,5V DC	8	-	0,5

*Power and Lumen values provided are based off of a "cold white (CW) LED".

C Light Color Options

● WW: Warm White 3000K	● R: Red 625nm
● NW: Natural White 4000K	● G: Green 525nm
● CW: Cold White 6500K	● B: Blue 465nm
● RGB	● A: Amber 590nm

*Different colors are optional

O Lens Options



XN: Extra Narrow Angle N: Narrow Angle

M Mounting Options

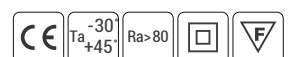


29: With Screw 30: Without Screw



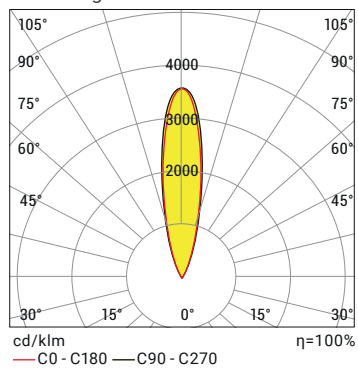
Order Code

P . W . C . O . M



Product Diagrams

Polar Diagram

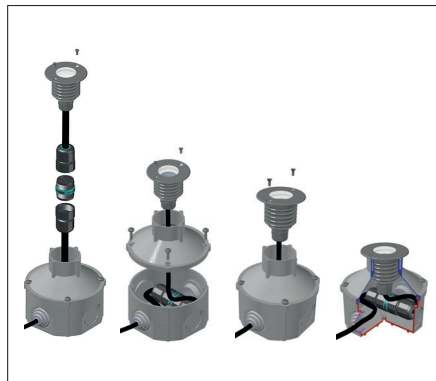


Conical Diagram

H (mt)	∅ (m)	E _{max} (lx)
3.0	1,24	60
1.5	1,04	87
2.0	0,83	136
1.5	0,62	241
1.0	0,41	543
0.5	0,21	2173

CF500 CW 25D 1.5W 220V AC IP67

Mounting



Control System Options

Color Type	PWM	INV PWM	DMX*	DALI*	0-10V DC*	TRIAC
WW-NW-CW	•			•	•	
R,G,B,A	•			•	•	
RGB	•					
RGBA/W						
RGB DMX			•			
WHITE DMX			•			

*Specific products only

Product Code	Voltage (V DC)	Control Systems	Cores of Cables Count		
			Mono	RGB	RGB W/A
CF500	5	PVM	2x	-	-
	7,5	PVM	-	4x	-
	12-24	ON/OFF	2x	-	-

